

E-LINETM

Manufacturing of Profiles from Natural Fibers and Plastics



Manufacturing of Profiles from Natural Fibers and Plastics

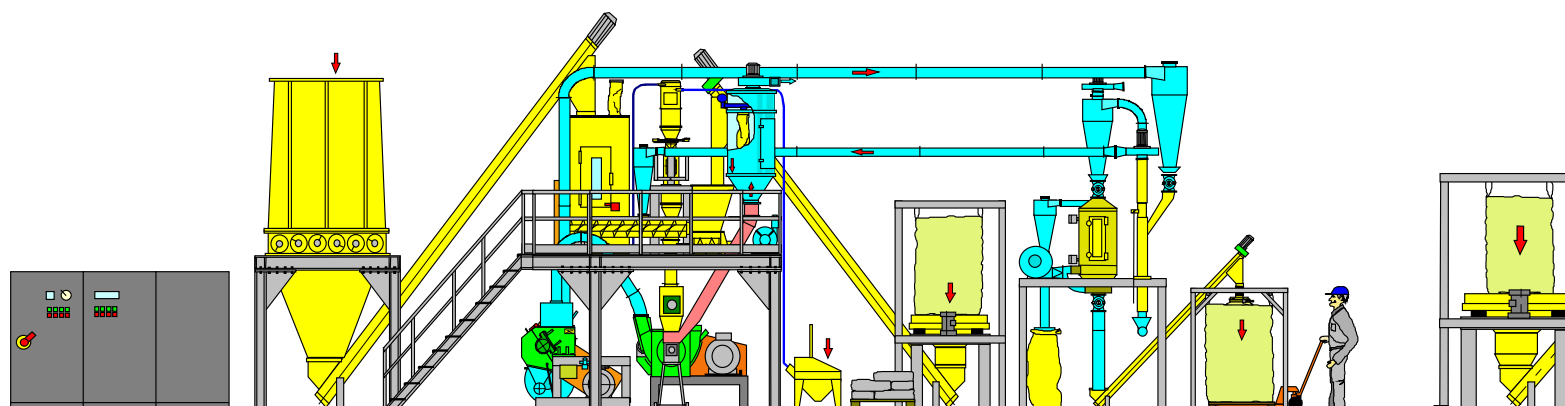
PALLMANN machines and systems are used all over the world to produce quality fibers from annual plants.

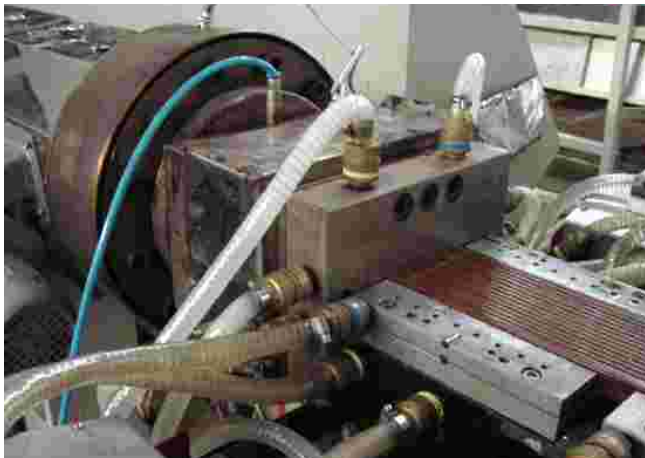
POLYGRINDER® Systems from PALLMANN are number one to produce free flowing powders from all types of plastic materials.

With the development of the PALLTRUDER® PALLMANN has set new standards in the production of natural fiber and plastic composites - NF-PC.

Fibers, plastic and additives are metered in preset ratios. Frictional heat and high pressure, produced by a screw ending in a special pressure disc, work the plastic into the natural fibers.

The PALLTRUDER® produces homogenous granules at reproducible quality and low cost.





EURIBIX has perfected a technology using annual organic crop residues and converting them into extruded products. Know-how offered includes selecting, preparing and conditioning fibers from crop residues into a clean and ecological product.



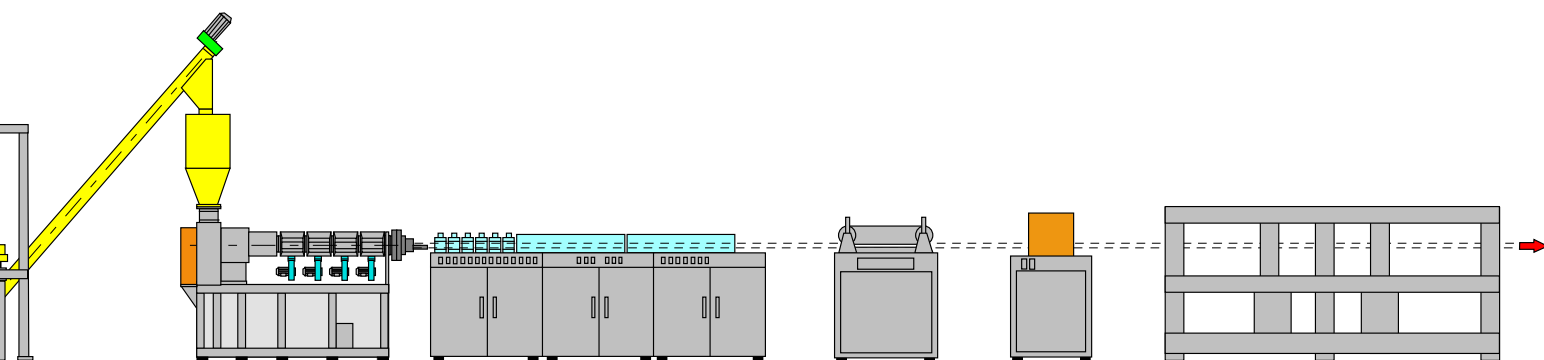
Specialy developed additives, called MIX-WOOD™ ensure that fibers from annual organic crop residues when compounded together with polyolefines in the PALLTRUDER®, form a homogenous granule called BIX-WOOD™. High quality and long lasting final products can be extruded.



BIX-WOOD™ Technology requires a relative low capital investment. By using the PALLTRUDER® and a single screw extrusion line, an exceptional value for the invested money is offered in comparison to alternative technologies.



Appropriate coloring for any BIX-WOOD™ product is available.



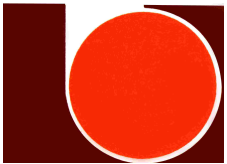


Partners acting worldwide

The PALLMANN group of companies is the leading manufacturer of machines and systems for size reduction technology in the plastic, process- and recycling industry.

PALLMANN operates, at its headquarters in Zweibrücken, one of the world's largest research and technology centers as well as a training and service center. In addition to the manufacturing facilities in North- and South America, the PALLMANN group of companies maintains a worldwide spare parts and service network.

POLYGRINDER® and PALLTRUDER® are registered trademarks of PALLMANN.



EURIBIX S.A.

EURIBIX S.A. is a Swiss company, based in Geneva, which has since 1987 been developing environmental protection technologies - always bearing in mind the international regulations of environmental protection. In particular, Euribix has developed technologies for recycling of waste products.

MIX-WOOD™ and BIX-WOOD™ are registered trademarks of EURIBIX S.A.

EURIBIX S.A.
3, rue de la Boulangerie
1211 Geneve 11 / Suisse
Phone: +41 22 317 8877
Fax +41 22 317 8879
E-mail: euribix@bluewin.ch

Pallmann Maschinenfabrik GmbH & Co.KG
Wolfslochstraße 51
66482 Zweibrücken
Germany
Phone: +49 6332 802 0
Fax +49 6332 802 521
E-mail: plast-chem@pallmann-online.de
<http://www.pallmann.de>

Pallmann Pulverizers Co. Inc.
820 Bloomfield Ave.
Clifton NJ 07012
USA
Phone: +1 973 471 1450
Fax +1 973 471 7152
E-mail: info@pallmannpulverizers.com
<http://www.pallmannpulverizers.com>

Pallmann do Brasil ind. e Com Ltda
Av. Presidente Juscelino, 11 56
09950-370 Diadema S.P.
Brasil
Phone: +55 11 745 3044
Fax +55 11 745 4968
E-mail: pallmann@pallmann.com.br
<http://www.pallmann.com.br>

Pallmann Beijing Representative Office
Unit 13, 6th Floor of Tower A
Beijing Cofco Plaza
No.8, Jianguomennei Dajie, Dongcheng District
Beijing, China
Phone: +86 10851 6826
Fax +86 10851 6825
E-mail: info@pallmann.com.cn