

REVN series cable glands, with a male threaded entry, are suitable for use in hazardous areas with danger of explosion to enable direct insertion of non-armoured cables into explosion-proof junction boxes, lighting fixtures, plugs and sockets, etc... They are provided with one sealing ring which tightens the incoming cable ensuring the 'Ex d' way of protection and the IP 66/67. Designed with a single opening key, they are less bulky and easier to install.



Interactive Point

[REVN assembly instructions video](#)

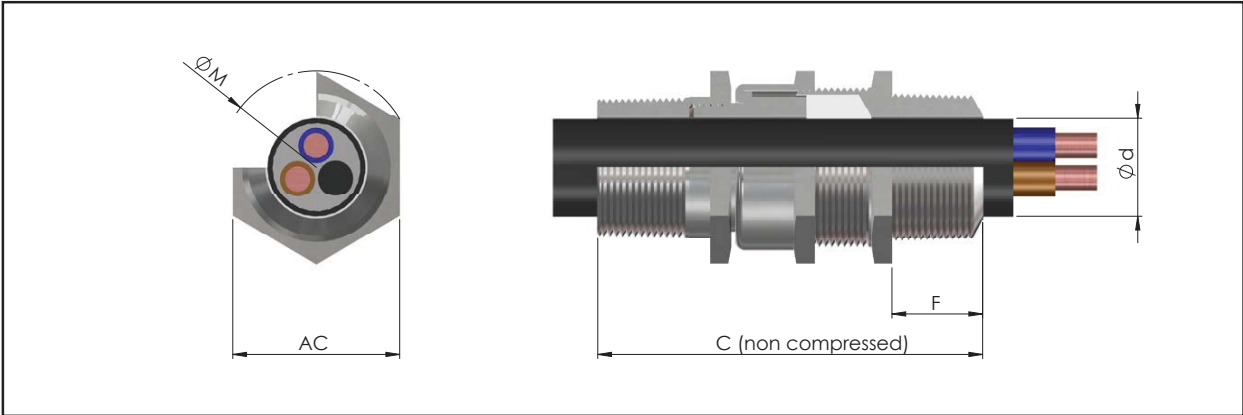
<b>Classification:</b> 2014/34/UE	Group II	Category 2GD
<b>Installation:</b> EN 60079.14	zone 1 - zone 2 (Gas)	zone 21 - zone 22 (Dust)
<b>Marking:</b>	CE 0722 Ex II 2 GD - Ex d IIC Gb Ex tb IIC Db - IP66/67	
<b>Certification:</b>	ATEX	CESI 13 ATEX 019 X
	IECEX	IECEX CES 13.0005X
	TR CU	AVAILABLE
<b>Standards:</b>	CENELEC EN 60079-0: 2012, EN 60079-1: 2007, EN 60079-7: 2007, EN 60079-31: 2009 and European Directive 2014/34/UE	
	IEC60079-0: 2011, IEC60079-1: 2007-04, IEC60079-31: 2008, IEC 60079-7: 2006-07 Directive RoHS 2002/95/CE	
<b>Class temperature:</b>	-40°C +110°C	
<b>Degree of protection:</b>	IP66/67	

Certificates are available on [www.cortemgroup.com](http://www.cortemgroup.com)

**Accessories upon request**

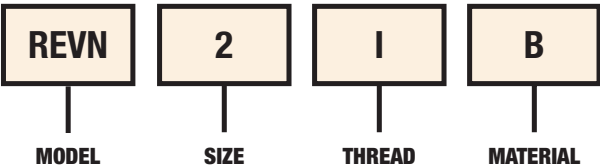
Locknut	ISO thread	Nichel-plated brass	Galvanized steel	Stainless steel	Shrouds black PVC made	Code
	M16x1,5	<b>DL01IB</b>	<b>DL01IG</b>	<b>DL01IS</b>		<b>PGA1F</b>
	M20x1,5	<b>DL1IB</b>	<b>DL1IG</b>	<b>DL1IS</b>		<b>PGA1F</b>
	M25x1,5	<b>DL2IB</b>	<b>DL2IG</b>	<b>DL2IS</b>		<b>PGA2R</b>
	M32x1,5	<b>DL3IB</b>	<b>DL3IG</b>	<b>DL3IS</b>		<b>PGA3</b>
	M40x1,5	<b>DL4IB</b>	<b>DL4IG</b>	<b>DL4IS</b>		<b>PGA4</b>
	M50x1,5	<b>DL5IB</b>	<b>DL5IG</b>	<b>DL5IS</b>		<b>PGA5</b>
M63x1,5	<b>DL6IB</b>	<b>DL6IG</b>	<b>DL6IS</b>	<b>DL6IS</b>	<b>PGA6R</b>	
Nichel-plated brass earthing rings *	For ISO threading	Nichel-plated brass	Stainless steel	Stainless steel idented washers *	Code	Adaptors and reducers RE... series
	M16x1,5	<b>A0131B</b>	<b>A0131S</b>		<b>RD101S/A4</b>	
	M20x1,5	<b>A1311B</b>	<b>A1311S</b>		<b>RD11S/A4</b>	
	M25x1,5	<b>A2312B</b>	<b>A2312S</b>		<b>RD12S/A4</b>	
	M32x1,5	<b>A3313B</b>	<b>A3313S</b>		<b>RD13S/A4</b>	
	M40x1,5	<b>A4314B</b>	<b>A4314S</b>		<b>RD14S/A4</b>	
	M50x1,5	<b>A5315B</b>	<b>A5315S</b>		<b>RD15S/A4</b>	
M63x1,5	<b>A6316B</b>	<b>A6316S</b>	<b>A6316S</b>	<b>RD16S/A4</b>		

\* For different threads contact the sales office.



CABLE GLANDS SELECTION TABLE							
Code Nichel-plated brass	Thread	Dimensions in mm				Range Ød min-max Under armour	Weight Kg
		AC1	ØM	F	C		
REVN01B	3/8" ISO7/1	24	28	15	69,5	5 - 10	0,140
REVN1B	1/2" ISO7/1	24	28	18	75,5	7 - 12	0,138
REVN2B	3/4" ISO7/1	32	37	18	77	12 - 18	0,205
REVN3B	1" ISO7/1	40	47	22	92	18 - 24	0,340
REVN4B	1 ¼" ISO7/1	48	56	22	92,5	24 - 30	0,491
REVN5B	1 ½" ISO7/1	53	62	24	98,5	30 - 35	0,632
REVN6B	2" ISO7/1	63	73	24	98,5	35 - 45	0,867
REVN01NB	3/8" NPT	24	28	15	71,5	5 - 10	0,140
REVN1NB	1/2" NPT	24	28	18	79,5	7 - 12	0,138
REVN2NB	3/4" NPT	32	37	18	81	12 - 18	0,205
REVN3NB	1" NPT	40	47	22	100	18 - 24	0,340
REVN4NB	1 ¼" NPT	48	56	22	100,5	24 - 30	0,491
REVN5NB	1 ½" NPT	53	62	24	102,5	30 - 35	0,632
REVN6NB	2" NPT	63	73	24	104,5	35 - 45	0,867
REVN01IB	M16x1,5	24	28	15	72,5	5 - 10	0,140
REVN1IB	M20x1,5	24	28	18	66,5	7 - 12	0,138
REVN2IB	M25x1,5	32	37	18	74	12 - 18	0,205
REVN3IB	M32x1,5	40	47	22	82	18 - 24	0,340
REVN4IB	M40x1,5	48	56	22	75,5	24 - 30	0,491
REVN5IB	M50x1,5	53	62	24	77,5	30 - 35	0,632
REVN6IB	M63x1,5	63	73	24	81,5	35 - 45	0,867

**Example of Order Code**



**TECHNICAL NOTES:**

- The silicone o-ring for the IP protection for cylindrical threads (ISO metric) is supplied already assembled on cable gland
- Available also in stainless steel (example code **REVN4S**)
- Available also in galvanized steel (example code **REVN4G**)
- For "Ex i" intrinsically safe marking, blu nut RAL 5015 (example code **REVN4SIA**)
- It's available upon request a version with mixed thread, of the same equivalence and size (example code for cable gland in nichel-plated brass Male 1" NPT - Female M32x1,5:**REVN3NIB**)