

ETH

- Zones 1, 2, 21, 22
- Max. 110 dB
- Continuous operation
- Ex d protection



Safety wire connecting body and cover

Support bracket mounting

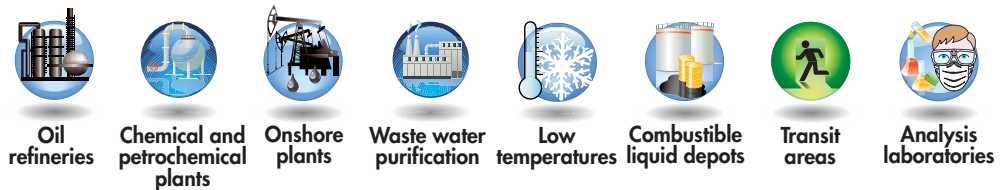
Connection entry



ETH series Sirens

ETH series sirens are used in closed environments where a warning system is needed and where the atmosphere is potentially explosive. ETH sirens are multi-functional. The five different types of sound can be programmed to provide warning in the event of danger or evacuation in the case of fire.

Application sectors:



CERTIFICATION DATA

Classification:	Group II	Category 2GD		
Installation: EN 60079.14	zone 1 - zone 2 (Gas)	zone 21 - zone 22 (Dust)	ETH12	
	zone 1 - zone 2 (Gas)		ETH20	
Marking:	CE Ex II 2 GD Ex d IIC T6 Ex tD A21 IP65		ETH12	
	CE Ex II 2 G Ex d IIC - IIB+H2 T4 Gb IP6x		ETH20	
Certification:	ATEX INERIS 02 ATEX 0074		ETH12	
	ATEX ISSeP 11 ATEX 040X		ETH20	
	GOST R DISPONIBLE	All GOST R certification data can be downloaded at www.cortemgroup.com		
Standards:	CENELEC EN 60079-0: 2006/09, EN 60079-1: 2004/07, EN 61241-0: 2006, EN 61241-1: 2004, EN 60079-31: 2009 and EUROPEAN DIRECTIVE 2014/34/UE			
Class temperature:	85°C (T6)	135°C (T4)	200°C (T3)	
Ambient temperature:	-20°C +55°C		ETH12	
	-50°C +60°C		ETH20	

ETH series Audible warnings



MECHANICAL FEATURES

Body and cover:	Low copper content aluminium alloy
Safety wire:	Steel
Bell housing:	Chrome coloured ABS plastic
Gasket:	Acid, hydrocarbon and high temperature resistant silicone
Bolts and screws:	Stainless steel
Mounting:	Direct to 3/4" entry or with mounting bracket (available on request)
Entries:	1 x 3/4" Rc UNI ISO 7/1
Coating:	Epoxy coating Ral 7000 (squirrel grey)

ELECTRICAL FEATURES

ETH-12 siren

Rated voltage:	V	12 ÷ 24 V ac/dc	48-115-230 V ac
Frequency:	Hz	50/60	50/60
Current:	A	0,16	0,07
Operation:	Continuous		

ETH-20 siren

Rated voltage:	V	12 ÷ 24 V ac/dc	48-115-230 V ac
Frequency:	Hz	50/60	50/60
Current:	A	0,2 ÷ 0,8	0,15 ÷ 0,07 A
Operation:	Continuous		

ACCESSORIES AVAILABLE / SPECIAL REQUESTS

Cable gland: FGAB2BK for armoured cable or FB2BK for non-armoured cable
 Adjustable support bracket
 Epoxy vinyl coating in different colours
 NPT or ISO M25 threads
 Different rated voltages

ETH series selection chart

Code	Programmable sounds	Voltage	Power input	Sound level Frequency	Sound level Db/m	Weight Kg	mm
ETH-12MD/12/5T	5	12 - 24 V ac/dc	4 W	440 - 1600 Hz	102	1,5	230x150x150
ETH-12MD/48/5T	5	48 V ac	4 W	440 - 1600 Hz	102	1,5	230x150x150
ETH-12MD/110VCA	5	115 V ac	4 W	440 - 1600 Hz	106	1,5	230x150x150
ETH-12MD/230VCA	5	230 V ac	4 W	440 - 1600 Hz	106	1,5	230x150x150
ETH-20MD/12/5T	5	12 - 24 V ac/dc	19 W	440 - 900 Hz	105	3,7	390x280x280
ETH-20MD/110VCA	5	115 V ac	16 W	440 - 900 Hz	110	3,7	390x280x280
ETH-20MD/230VCA	5	230 V ac	16 W	440 - 900 Hz	110	3,7	390x280x280

Main sounds (32 selectable sounds, view safety maintenance and mounting instructions)

TWIN TONE: 440 Hz / 0.4 sec alternated with 554 Hz / 0.1 sec

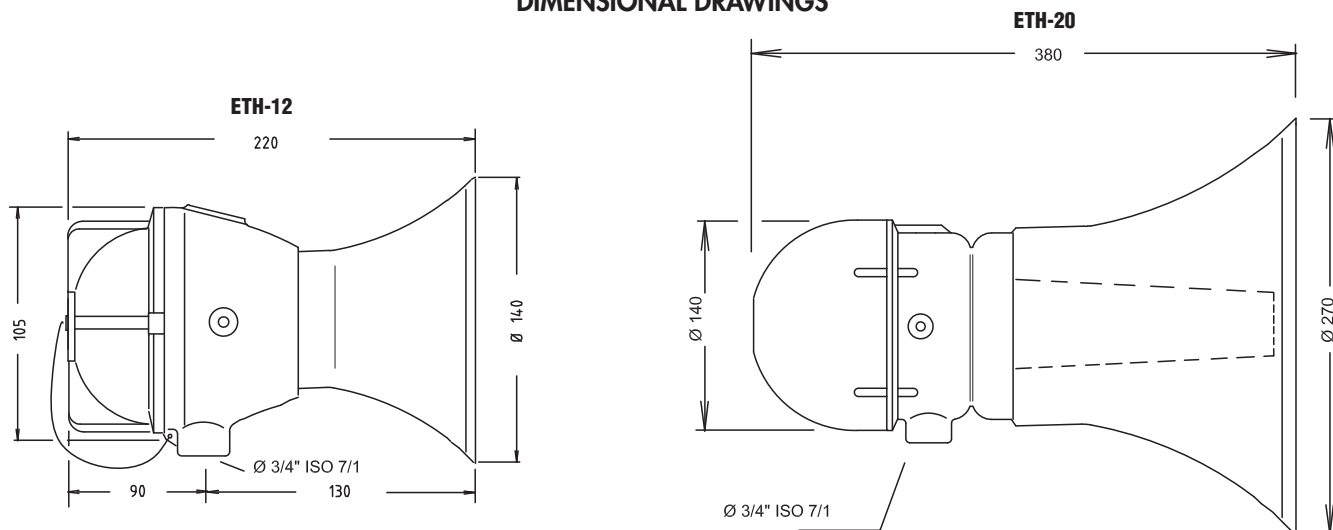
YELP: Increasing and decreasing scale. Fast from 650 to 1600 Hz

WAIL: Increasing and decreasing scale. Slow from 650 to 1600 Hz

INTERMITTENT: 554 Hz, 1 sec ON - 1 sec OFF

FIXED NOTE: 554 Hz continuous.

DIMENSIONAL DRAWINGS



Dimensions in mm

ILLUSTRATION	DESCRIPTION	MODEL	FEATURES	CODE	KEY
	Adjustable support bracket	ETH-12	Material: galvanised steel	K-340	
		ETH-20		K-340/1	
	Cable gland		For cable gland models and codes see www.cortemgroup.com	FGAB2BK FB2BK	