

FGAB series barrier cable glands for armoured cable are used to ensure the IP 66/67 degree and the explosion protection in applications where prescriptions of installation are required according to EN-IEC 60079-14:2015 certification.



Interactive Point

[FGAB assembly instructions video](#)

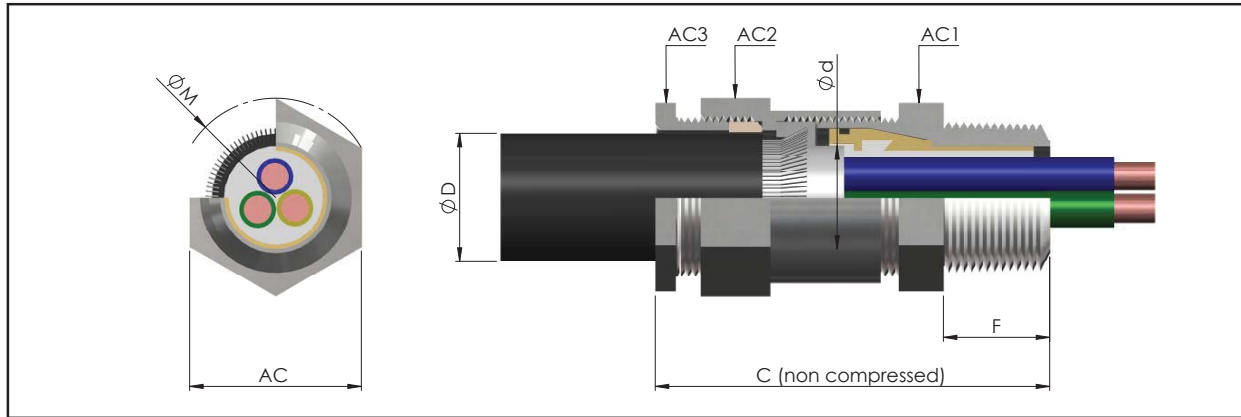
Classification: 2014/34/UE	Group II	Category 2GD
Installation: EN 60079.14	zone 1 - zone 2 (Gas)	zone 21 - zone 22 (Dust)
Marking:	CE 0722 Ex II 2 GD - Ex d IIC Gb Ex e IIC Gb Ex tb IIC Db IP66/67	
Certification:	ATEX	CESI 00 ATEX 075
	IECEx	IECEx CES 14.0015X
	TR CU	AVAILABLE
Standards:	CENELEC EN 60079-0: 2012, EN 60079-1: 2007, EN 60079-7: 2007, EN 60079-31: 2009 and European Directive 2014/34/UE	
	IEC60079-0: 2011, IEC60079-1: 2007-04, IEC60079-31: 2008, IEC 60079-7: 2006-07 Directive RoHS 2002/95/CE	
Class temperature:	-20°C +60°C	
Degree of protection:	IP66/67	

All IEC Ex and TR CU certification data can be downloaded at www.cortemgroup.com

Certificates are available on www.cortemgroup.com

Accessories upon request						
Locknut *	ISO thread	Nichel-plated brass	Shrouds black PVC made	Code	Nichel-plated brass earthing rings *	Code
	M20x1,5	DL1IB		PGA1		A1311IB
	M25x1,5	DL2IB		PGA2		A2311IB
	M32x1,5	DL3IB		PGA3		A3311IB
	M40x1,5	DL4IB		PGA6R		A4311IB
	M50x1,5	DL5IB		PGA6R		A5311IB
	M63x1,5	DL6IB		PGA6		A6311IB
	M75x1,5	DL7IB		PGA7		A7311IB
	M90x1,5	DL8IB		PGA8		A8311IB
	Stainless steel idented washers *	For ISO threading	Code	Adaptors and reducers RE... series		
				M20	RD11IS/A4	
				M25	RD12IS/A4	
				M32	RD13IS/A4	
				M40	RD14IS/A4	
				M50	RD15IS/A4	
M63	RD16IS/A4					

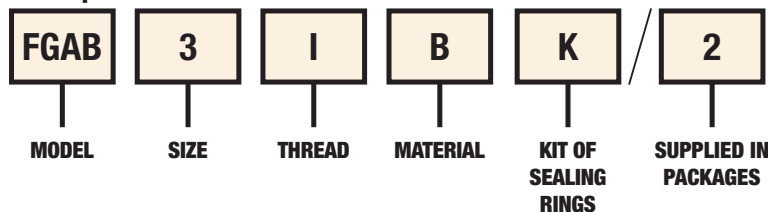
* For different threads contact the sales office.



CABLE GLANDS SELECTION TABLE

Code Nichel-plated brass	Thread	Dimensions in mm						Range		Armour thickness min-max	Weight Kg
		AC1	AC2	AC3	ØM	F	C	ØD min-max	Ød min-max		
FGAB1BK/3	1/2" IS07/1	27	30	27	35	19	83	8 - 18	5 - 13	0,5 - 1,4	0,140
FGAB2BK/3	3/4" IS07/1	32	35	32	41	19	58	17 - 25	11 - 18	0,5 - 1,8	0,170
FGAB3BK/2	1" IS07/1	40	42	40	49	26	66	23 - 32	17 - 24	0,5 - 2	0,275
FGAB4BK	1 ¼" IS07/1	53	60	50	69	26	68	29 - 39	23 - 30	0,9 - 2	0,390
FGAB5BK	1 ½" IS07/1	60	67	55	77	26	68	36 - 46	29 - 38	1,2 - 2,5	0,510
FGAB6BK	2" IS07/1	72	79	72	91	26	68	44 - 60	36 - 49	1,3 - 2,5	0,720
FGAB7BK	2 ½" IS07/1	95	105	82	121	32	76	51 - 70	44 - 61	1,3 - 2,5	1,220
FGAB8BK	3" IS07/1	105	115	103	133	32	76	65 - 81	59 - 74	1,5 - 3,2	1,580
FGAB1NBK/3	1/2" NPT	27	30	27	35	19	58	8 - 18	5 - 13	0,5 - 1,4	0,140
FGAB2NBK/3	3/4" NPT	32	35	32	41	19	58	17 - 25	11 - 18	0,5 - 1,8	0,170
FGAB3NBK/2	1" NPT	40	42	40	49	26	66	23 - 32	17 - 24	0,5 - 2	0,275
FGAB4NBK	1 ¼" NPT	55	60	50	69	26	68	29 - 39	23 - 30	0,9 - 2	0,390
FGAB5NBK	1 ½" NPT	60	67	55	77	26	68	36 - 46	29 - 38	1,2 - 2,5	0,510
FGAB6NBK	2" NPT	72	79	72	91	26	68	44 - 60	36 - 49	1,3 - 2,5	0,720
FGAB7NBK	2 ½" NPT	90	105	82	121	32	76	51 - 70	44 - 61	1,3 - 2,5	1,220
FGAB8NBK	3" NPT	105	115	103	133	32	76	65 - 81	59 - 74	1,5 - 3,2	1,580
FGAB1IBK/3	M20x1,5	27	30	27	35	16	55	8 - 18	5 - 13	0,5 - 1,4	0,140
FGAB2IBK/3	M25x1,5	32	35	32	41	16	55	17 - 25	11 - 18	0,5 - 1,8	0,170
FGAB3IBK/2	M32x1,5	40	42	40	49	16	56	23 - 32	17 - 24	0,5 - 2	0,275
FGAB4IBK	M40x1,5	55	60	50	69	16	58	29 - 39	23 - 30	0,9 - 2	0,390
FGAB5IBK	M50x1,5	60	67	55	77	16	58	36 - 46	29 - 38	1,2 - 2,5	0,510
FGAB6IBK	M63x1,5	72	79	72	91	18	60	44 - 60	36 - 49	1,3 - 2,5	0,720
FGAB7IBK	M75x1,5	95	105	82	121	18	62	51 - 70	44 - 61	1,3 - 2,5	1,220
FGAB8IBK	M90x1,5	105	115	103	133	18	62	65 - 81	59 - 74	1,5 - 3,2	1,580

Example of Order Code



Resin compound kit:
Cable glands are supplied
with a resin bag, mixing
spatula and protective
gloves.



For sealing system, diameter and maximum number of
conductors to be used see "Sealing method" chapter

TECHNICAL NOTES:

- The silicone o-ring for the IP protection for cylindrical threads (ISO metric) is supplied already assembled on cable gland
- Other materials upon request
- For "Ex i" intrinsically safe marking, blu nut RAL 5015 (example code FGAB5BKIA)